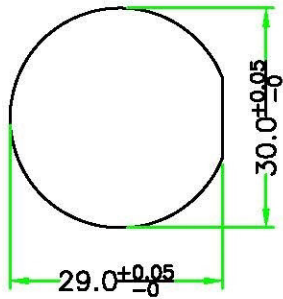
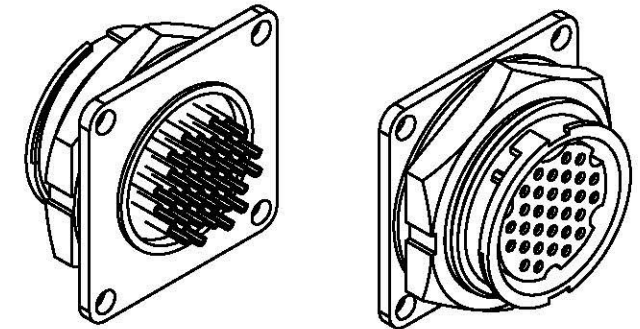
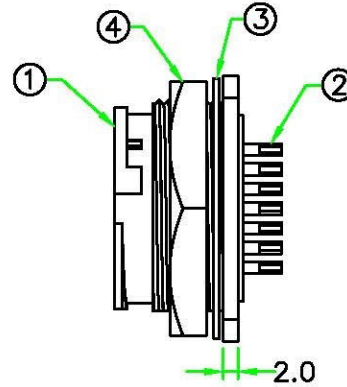


REV.	DESCRIPTION	DATE
A	ISSUE	Sep/15/2011



RECOMMENDED
PANEL CUT OFF

RoHS
IP67



NOTES:

1. ELECTRICAL CHARACTERISTICS:

CURRENT RATING: 5A

CONNECTOR TEMPERATURE RANGE: -40°C TO +105°C

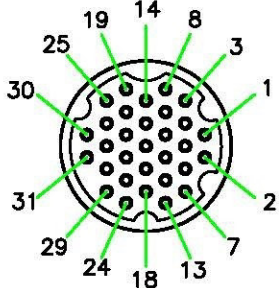
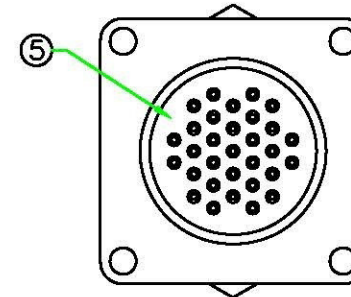
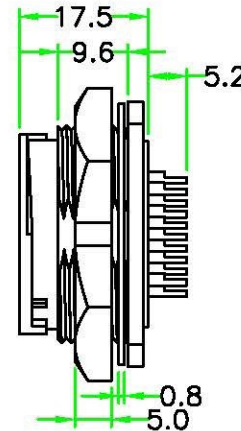
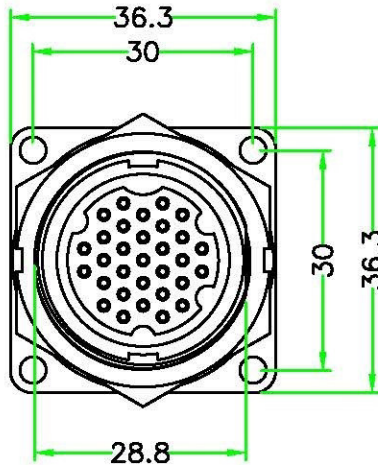
DIELECTRIC WITHSTANDING VOLTAGE:

500V AC FOR ONE MINUTE

2. HOW TO ORDER: CED-L331QS

31 - 31PIN

D - CURRENT RATING 5A



**PIN ASSIGNMENT
FRONT VIEW**

Allconnectors

www.allconnectors.de
Tel.: 0049 711 7009503
70794 Filderstadt Germany

Info@allconnectors.de
Fax: 0049 711 7009504
Kettenmstr. 25

No.	PART NAME	DESCRIPTION	COLOR	QTY	REMARKS
5	GLUE	Glue.	BLACK	1	
4	HEX NUT	BRASS. Nickel Plated.		1	CEA-PHNUT (36-135-N1)
3	GASKET	EPDM.	BLACK	1	C18-G
2	CONTACT	BRASS. 6u" Gold Plated. Solder Cup.		31	M12F-1.0SPL20.5
1	CONNECTOR	Circular E Size Connector Insert. NYLON+GF.	BLACK	1	CED-L331 (82-135-N3)

UNIT: mm		TITLE : Circular E Size Male Connector Female Pin Lock type Square Flange Solder pin All Plastic 31 Pin Panel connector	
SCALE	1:1	P/N: CED-L331QS	DR. Jack
UNLESS OTHERWISE SPECIFIED TOLERANCES: X ± 0.25 XX ± 0.1 XXX ± 0.05 ANGLE ± 1°			CH. S.S.A.N.E.E.Y
REV. A	SHEET 1/1	DWG.NO: CED-L331QS	AP.